



KPP
drawn by

DG
checked by

APRIL 2022
date

revisions

MOORE PUBLIC SCHOOLS
BOARD OF EDUCATION
MOORE, OKLAHOMA



NEW CLASSROOM
ADDITION -
SOUTH LAKE
ELEMENTARY SCHOOL

sheet no:

P000

OWNERSHIP USE OF DOCUMENTS:

AGP EXPRESSLY RESERVES ITS
COPYRIGHT AND OTHER PROPERTY
RIGHTS OF ALL PLANS AND DRAWINGS
DESIGNED AND/OR PRODUCED. PLANS
AND DRAWINGS ARE NOT TO BE
REPRODUCED IN ANY FORM OR MANNER
WITHOUT THE EXPRESSED WRITTEN
CONSENT OF AGP.

GENERAL PLUMBING NOTES

- THESE DRAWINGS SHALL NOT BE SCALED. SEE ARCHITECTURAL/CIVIL DRAWINGS FOR DIMENSIONAL INFORMATION. THIS ENGINEER WILL NOT BE LIABLE FOR MISCALCULATED PRODUCT TAKE-OFFS DUE TO SCALING OF DRAWINGS.
- ALL SANITARY PIPING SHALL HAVE A 1/8" PER FOOT SLOPE UNLESS OTHERWISE NOTED. 2" SANITARY OR SMALLER SHALL HAVE A 1/4" PER FOOT SLOPE.
- VENT PIPING SHOWN ON FLOOR PLANS IS DIAGRAMMATIC EXCEPT FOR VENT THRU ROOF (VTR) LOCATIONS.
- VALVES AND FITTINGS SHALL BE OF SAME SIZE AS THE LINE ON WHICH THEY ARE LOCATED, UNLESS OTHERWISE INDICATED ON DRAWINGS.
- CONTRACTOR SHALL COORDINATE ALL WORK WITH OTHER TRADES.
- CONTRACTOR SHALL FIELD VERIFY ALL GIVEN MEASUREMENTS PRIOR TO LAYING AND CONNECTING ALL SANITARY AND WASTE PIPING AND NOTIFY ENGINEER OF ANY DISCREPANCIES.
- CONTRACTOR SHALL BE RESPONSIBLE FOR MAINTAINING FIRE RATING AND WEATHERPROOFING INTEGRITY OF ALL PIPING AND PENETRATIONS.
- ALL WATER SUPPLY AND SANITARY LINES SHALL BE RUN AS CLOSE TO PLANS AS POSSIBLE WITH NO CHANGES IN SIZING.
- CHANGES IN THE DIRECTION OF SANITARY DRAIN PIPING SHALL NOT BE MADE WITH FITTINGS WHICH WILL CAUSE EXCESSIVE REDUCTION IN THE VELOCITY OF FLOW OR CREATE ANY OTHER ADVERSE EFFECT UNLESS PHYSICALLY IMPOSSIBLE (I.E.: USE OF SANITARY TEE IN A HORIZONTAL CONNECTION, USE OF A DOUBLE SANITARY TEE IN A VERTICAL STACK, IN GENERAL, USE OF SHORT-RADIUS FITTINGS FOR BRANCH TO HOUSE DRAIN OR STACK CONNECTION).
- CONTRACTOR SHALL GIVE 48 HOURS HOUR EMERGENCY LOCATE NOTICE TO APPLICABLE UTILITY COMPANY PRIOR TO PERFORMING WORK INVOLVING UTILITIES.
- ALL DRAINAGE PIPING SHALL BE MARKED WITH THE SEAL OF APPROVAL OF THE NATIONAL SANITATION FOUNDATION.
- ROUTE ALL PIPING CONCEALED ABOVE CEILINGS, WITHIN WALLS, OR IN CHASES. PIPING EXPOSED SHALL BE SLOPED AND PAINTED TO MATCH ARCHITECTURAL FINISHES. PIPING IN MECHANICAL ROOMS MAY BE EXPOSED.
- SITE UTILITY CONNECTIONS SHALL BE PROVIDED ON CIVIL DRAWINGS. ALL SERVICES SHOWN ON THIS SET OF PLANS TERMINATE 5'-0" FROM BUILDING, UNLESS SHOWN OTHERWISE ON DRAWINGS. PLUMBING CONTRACTOR SHALL MAKE FINAL CONNECTIONS TO SITE UTILITIES. (INC. CLEAN OUTS, INCREASES, BACKWATER VALVES, ETC.)
- COORDINATE WITH ARCHITECT/GENERAL CONTRACTOR FOR INSTALLATION OF HOSE BIBS. HEIGHT OF INSTALLATION SHALL BE DETERMINED IN FIELD.
- CONTRACTOR SHALL VERIFY INVERT ELEVATIONS OF SEWERS TO WHICH NEW SEWER LINES ARE TO BE CONNECTED BEFORE INSTALLATION OF NEW SEWER LINE.
- ALL VENTS THROUGH ROOF SHALL BE MIN. 10'-0" FROM ANY AIR INTAKES.
- CONTRACTOR SHALL INSTALL DIELECTRIC UNIONS AT CONNECTIONS OF DISSIMILAR METALS.
- CONTRACTOR SHALL ROUGH-IN ALL WASTES AND SUPPLIES TO SPECIAL EQUIPMENT ACCORDING TO MANUFACTURER'S SHOP DRAWINGS AND MAKE FINAL CONNECTIONS. ALL SUPPLIES SHALL BE VALVED. INSTALL VACUUM BREAKERS WHERE REQUIRED BY CODE.
- DO NOT PENETRATE WALL FOOTINGS WITH PIPING, COORDINATE WITH GENERAL CONTRACTOR TO DROP FOOTINGS AS REQUIRED TO CLEAR PLUMBING SERVICES WHERE ABSOLUTELY NECESSARY. ALL PIPING PENETRATING A BEARING WALL OR FOOTING MUST BE SLEEVED AND LOCATION APPROVED BY STRUCTURAL ENGINEER. PROVIDE LINK-SEALS IN ALL PENETRATIONS OF EXTERIOR WALLS.
- ALL PIPING SHALL BE INSTALLED AS HIGH AS POSSIBLE IN PROVIDED CEILING SPACE.
- COORDINATE PIPING INSTALLATION AS TO NOT INTERFERE WITH HVAC EQUIPMENT ACCESS.
- ANY ERRORS OR AMBIGUITIES IN THE PLANS AND/OR SPECIFICATIONS THAT ARE DISCOVERED BY THE CONTRACTOR SHALL BE REPORTED TO THE ARCHITECT/ENGINEER BEFORE WORK IS STARTED. OMISSION OF PARTICULAR REFERENCE TO ANY ITEM NECESSARY FOR COMPLETE INSTALLATION AND PROPER OPERATION THEREOF SHALL NOT RELIEVE THE CONTRACTOR OF THE RESPONSIBILITY OF FURNISHING THE SAME AT NO EXTRA COST. THE CONTRACTOR IS RESPONSIBLE FOR REVIEWING ALL CONSTRUCTION DOCUMENTS FOR INFORMATION PRIOR TO BID.
- VERIFY WITH ARCHITECT ON ALL EQUIPMENT AND FIXTURES REQUIRING PLUMBING PRIOR TO BID. COORDINATE EXACT LOCATIONS AND CONNECTIONS.
- ALL WORK SHALL BE IN COMPLIANCE WITH STATE AND LOCAL CODES.
- CONTRACTOR SHALL PAY ALL FEES, PERMITS, LICENSES, ETC. NECESSARY FOR PROPER COMPLETION OF WORK.
- INSTALL ALL EQUIPMENT IN ACCORDANCE WITH MANUFACTURER'S RECOMMENDATIONS.

PLUMBING PIPING LINETYPES

LINETYPE	DESCRIPTION
----	DEMOLITION
—G—	GAS
----	SANITARY ABOVE GRADE
----	SANITARY BELOW GRADE
----	STORM ABOVE GRADE
----	STORM BELOW GRADE
----	VENT ABOVE GRADE
----	VENT BELOW GRADE
----	COLD WATER
----	COLD WATER BELOW GRADE
----	HOT WATER
----	HOT WATER BELOW GRADE
----	RECIRC WATER
----	RECIRC WATER BELOW GRADE

PLUMBING PIPING LEGEND

	CIRCUIT SETTER
	BALL VALVE OR SHUT-OFF VALVE
	SPRING CHECK VALVE
	END CAP
	NEW TO EXISTING PIPE CONNECTION
	FLOW DIRECTION ARROW
	NEW TO EXISTING POINT OF CONNECTION SYMBOL
	PIPE CONNECTION
	HAMMER ARRESTOR (PISTON TYPE)
	HAMMER ARRESTOR (BELLOWS TYPE)
	PIPING LINEWEIGHT: NEW/DEMOLITION
	PIPING LINEWEIGHT: EXISTING

PLUMBING ABBREVIATIONS

AC	ABOVE GRADE	MAU	MAKE-UP AIR UNIT
ADD	ADDENDUM	MC	MECHANICAL CONTRACTOR
ADDL	ADDITIONAL	MECH	MECHANICAL
ADJ	ADJUSTABLE	MIN	MINIMUM
AFF	ABOVE FINISH FLOOR	NG	NATURAL GAS
AFG	ABOVE FINISH GRADE	NTS	NOT TO SCALE
ALT	ALTERNATE	NPCW	NON POTABLE COLD WATER
BG	BELOW GRADE	ORD	OVERFLOW ROOF DRAIN
CO	CLEANOUT	OS	OPEN SITE
COL	COLUMN	OSD	OVERFLOW STORM DRAIN
CW	COLD WATER	PC	PLUMBING CONTRACTOR
DN	DOWN	PLBC	PLUMBING
DS	DOWNSPOUT	PRES	PRESSURE
EC	ELECTRICAL CONTRACTOR	QTY	QUANTITY
ECO	EXTERIOR CLEANOUT	RD	ROOF DRAIN
EQ	EQUAL	RTU	ROOFTOP UNIT
FCO	FLOOR CLEANOUT	SAN	SANITARY
FD	FLOOR DRAIN	SCH	SCHEDULE
FLR	FLOOR	SD	STORM DRAIN
FS	FLOOR SINK	SPEC	SPECIFICATIONS
FT	FOOT (FEET)	SS	STAINLESS STEEL
F	FURNACE	TEMP	TEMPERATURE
GAL	GALLON	TYP	TYPICAL
GC	GENERAL CONTRACTOR	UR	URINAL
GPM	GALLONS PER MINUTE	V	VENT
GI	GREASE INTERCEPTOR	VTR	VENT THRU ROOF
GW	GREASE WASTE	W/	WITH
HW	HOT WATER	WCO	WALL CLEANOUT
HWR	HOT WATER RETURN	WC	WATER CLOSET

PLUMBING SHEET INDEX

P000	PLUMBING NOTES, SYMBOLS AND ABBREVIATIONS
P101	PLUMBING PLAN - BELOW GRADE
P111	PLUMBING PLAN - ABOVE GRADE
P201	PLUMBING PLAN - ROOF
P501	PLUMBING DETAILS
P601	PLUMBING SCHEDULES



KPP
drawn by
DG
checked by
APRIL 2022
date
revisions

MOORE PUBLIC SCHOOLS
BOARD OF EDUCATION
MOORE, OKLAHOMA



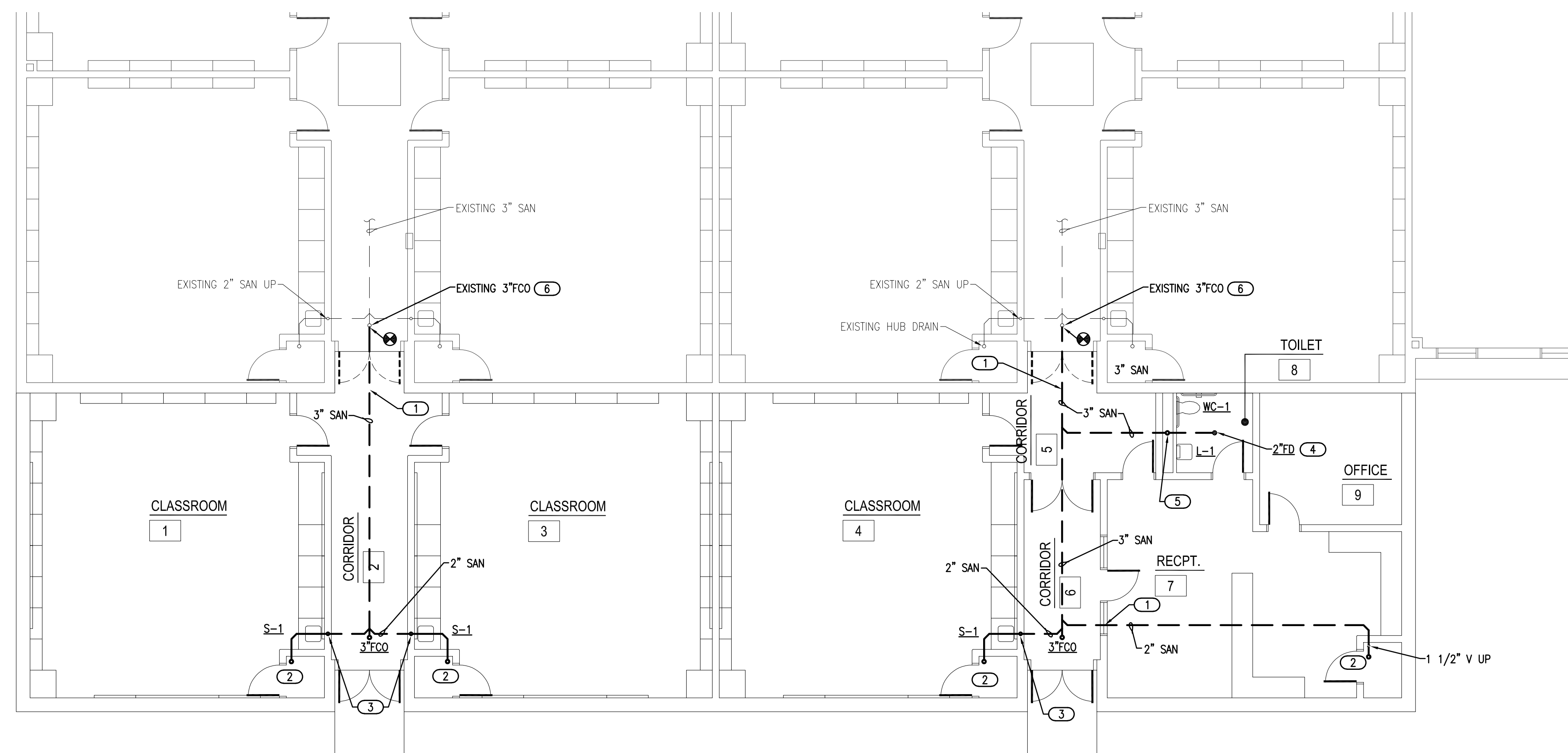
NEW CLASSROOM
ADDITION -
SOUTH LAKE
ELEMENTARY SCHOOL

sheet no:

P101

- GENERAL NOTES**
- COORDINATE WORK WITH ALL OTHER TRADES ON SITE.
 - COORDINATE ALL BELOW GRADE PIPE ROUTING WITH STRUCTURAL FOUNDATIONS AND REQUIRED PIPE SLEEVES THRU FOUNDATION PENETRATIONS.
 - FIELD VERIFY EXISTING CONDITIONS PRIOR TO COMMENCING WORK.
 - PRIOR TO COMMENCING WORK, COORDINATE WITH SITE CONTRACTOR FOR SANITARY SEWER AND WATER INVERT ELEVATIONS.
 - REFER TO PLUMBING FIXTURE SCHEDULE ON SHEET P601 FOR FIXTURE ROUGH-IN PIPE SIZES.
 - PIPE TRENCHES SHALL HAVE SAND BEDDING TO A MINIMUM POINT 6" ABOVE THE TOP OF PIPE. REFER TO SPECIFICATION SECTION 22 05 00.
 - INSTALL BELOW FLOOR 1/2" CW LINE TYPE K COPPER OR PEX-a FOR TRAP PRIMER TO FLOOR DRAINS. SLOPE LINE CONTINUOUSLY TOWARDS DRAIN. SEE DETAIL 1/P501.

- KEYED NOTES**
- PROVIDE CAST IRON PIPE SLEEVE FOR SANITARY PIPE BELOW GRADE BEAM. INSTALL FOAM SPACER BLOCKS TO MAINTAIN PIPE IN CENTER OF SLEEVE. COORDINATE PIPE SLEEVE INSTALLATION WITH STRUCTURAL.
 - ROUTE 2" SANITARY LINE UP TO 2" AFF AND INSTALL 2x4 FITTING FOR HUB DRAIN. COORDINATE INSTALLATION WITH MC. ROUTE TRAP PRIMER LINE TO HUB DRAIN. MC TO ROUTE FURNACE CONDENSATE DRAIN LINES TO HUB DRAIN. SEE DETAIL 1/P501.
 - 2" SANITARY LINE BELOW GRADE BEAM WITH 2" SANITARY UP THRU GRADE BEAM TO SINK. COORDINATE WITH STRUCTURAL FOR ROUTING SANITARY LINE BELOW GRADE BEAM AND VERTICAL SANITARY LINE THRU GRADE BEAM.
 - INSTALL BELOW FLOOR 1/2" CW LINE TYPE K COPPER OR PEX-a FOR TRAP PRIMER TO FLOOR DRAIN. SLOPE LINE CONTINUOUSLY TOWARDS DRAIN. SEE DETAIL 1/P501.
 - 3" SANITARY LINE BELOW GRADE BEAM WITH 3" SANITARY UP THRU GRADE BEAM TO CHASE. COORDINATE WITH STRUCTURAL FOR ROUTING SANITARY LINE BELOW GRADE BEAM AND VERTICAL SANITARY LINE THRU GRADE BEAM.
 - COORDINATE FLOOR CUTTING AND PATCHING AS REQUIRED TO CONNECT NEW 3" SANITARY TO EXISTING 3" SANITARY, APPROXIMATELY 53" BELOW FINISHED FLOOR. REINSTALL FLOOR CLEANOUT TO BE FLUSH WITH FINISHED FLOOR.



1 PLUMBING PLAN - BELOW GRADE
1/8" = 1'-0"





KPP
drawn by
DG
checked by
APRIL 2022
date
revisions

MOORE PUBLIC SCHOOLS
BOARD OF EDUCATION
MOORE, OKLAHOMA



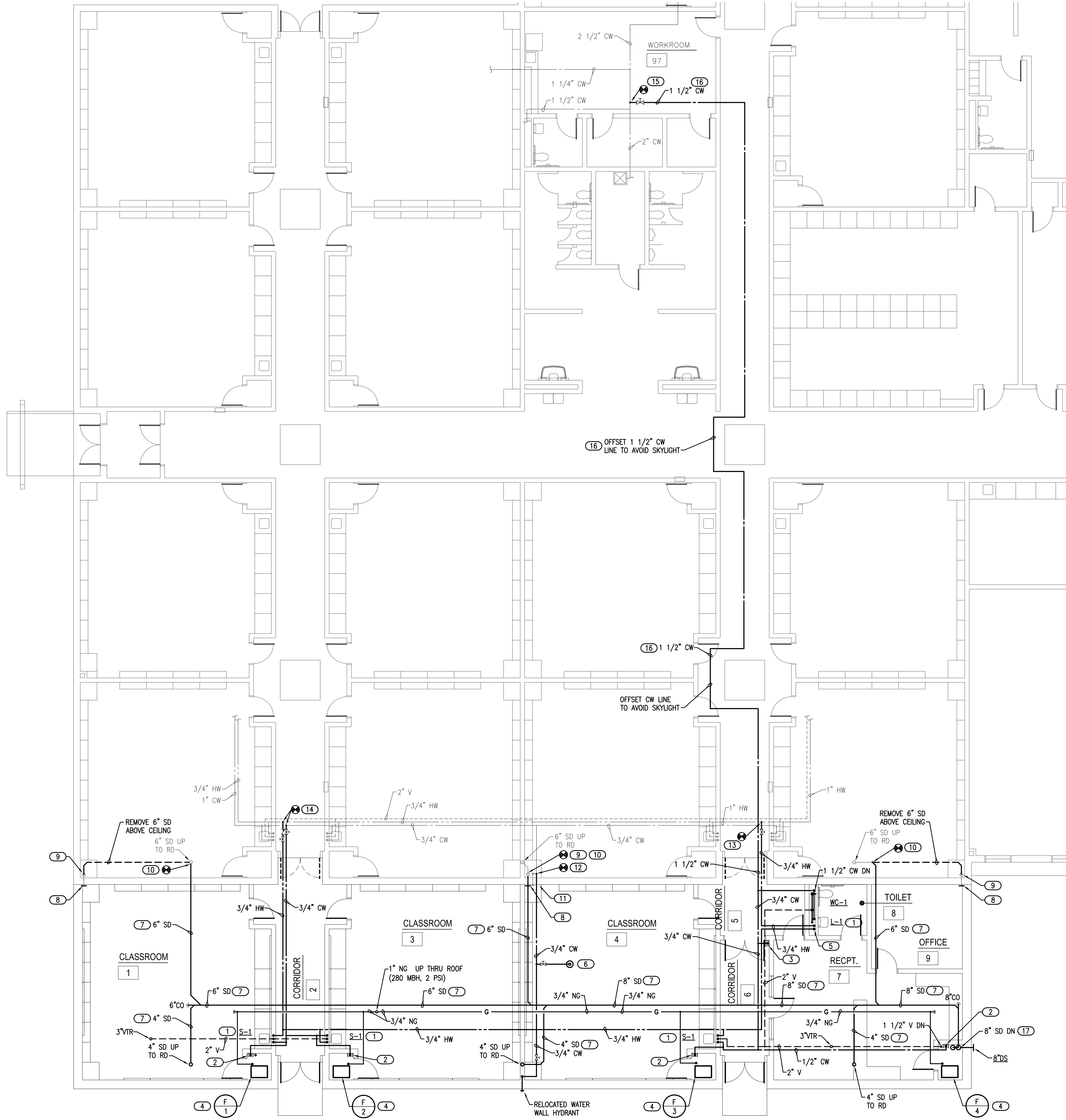
NEW CLASSROOM
ADDITION -
SOUTH LAKE
ELEMENTARY SCHOOL

sheet no:

P111

- ### GENERAL NOTES
- COORDINATE WORK WITH ALL OTHER TRADES ON SITE.
 - PROVIDE WATER HAMMER ARRESTORS (HA) ON WATER LINES TO FLUSH VALVES, SENSOR FAUCETS AND QUICK CLOSING VALVES. LOCATE UNITS IN ACCESSIBLE LOCATIONS.
 - SINK AND LAVATORY WATER SUPPLY STUB OUTS SHALL BE COPPER PIPE WITH SUPPORT BRACKET FASTENED IN WALL CAVITY.
 - FIRE SEAL ALL PENETRATIONS THRU RATED STRUCTURES TO MAINTAIN FIRE RATING.
 - REFER TO PLUMBING FIXTURE SCHEDULE ON SHEET P601 FOR FIXTURE ROUGH-IN PIPE SIZES.
 - PROVIDE ACCESS PANELS FOR ALL VALVES/DEVICES ABOVE HARD CEILING AND BEHIND WALLS.
 - ALL GAS PIPE SHALL COMPLY WITH IFGC. BRANCH LINES SHALL TAP OFF TOP OF GAS MAINS AND INSTALL SHUT-OFF VALVE ON BRANCH LINE.
 - TRAP PRIMER LINES SHALL BE COPPER TYPE "K" OR PEX-a TUBING WITH CONTINUOUS SLOPE TOWARDS DRAIN CONNECTION.
 - COORDINATE HEIGHT OF EXTERIOR FREEZELESS WALL HYDRANT (FWH) WITH GC AND/OR ARCHITECT. SEAL FIXTURE FLANGE WATERTIGHT.

- ### KEYED NOTES
- INSTALL THERMOSTATIC MIXING VALVE (TMV-1) BELOW LAVATORY OR SINK. SINK SEE DETAIL 4/P501 AND LAVATORY SEE DETAIL 5/P501.
 - PROVIDE 1/2" CW WITH STRAINER TO TRAP PRIMER (TP-1) IN ACCESSIBLE LOCATION IN FURNACE CLOSET. ROUTE 1/2" LINE FROM UNIT TO HUB DRAIN. COORDINATE POWER WITH EC. SEE DETAIL 1/P501.
 - PROVIDE 1/2" CW WITH STRAINER TO TRAP PRIMER (TP-1) IN ACCESSIBLE LOCATION ABOVE CORRIDOR LAY-IN CEILING. ROUTE 1/2" LINE FROM UNIT TO FLOOR DRAIN IN TOILET ROOM. SEE DETAIL 1/P501.
 - ROUTE 1/2" NATURAL GAS (2 PSI) LINE TO FURNACE. PROVIDE BALL VALVE, DRIP LEG, PRESSURE REGULATOR (2 PSI TO 7"W.C.) AND FINAL UNIT CONNECTION. COORDINATE CONNECTION WITH MC. SEE DETAIL 6/P501.
 - ROUTE 3/4" HW DOWN IN CHASE TO LAVATORY. PROVIDE 1/2" HW TO LAVATORY AND ROUTE 3/4" HW BACK UP TO ABOVE CEILING TO CONTINUE TO CLASSROOM SINKS. SEE DETAIL 5/P501.
 - PROVIDE 3/4" CW WITH BALL VALVE ABOVE LAY-IN CEILING FOR CONNECTION TO FREEZELESS ROOF HYDRANT.
 - INSULATED STORM DRAIN WITH SLOPE AT 1/8" PER FOOT.
 - REMOVE EXPOSED STORM DRAIN PIPE, ELBOW AND WALL FLANGE. CAP PIPE.
 - VERTICAL STORM DRAIN TO REMAIN IN PLACE AND CAP END ABOVE CEILING. REMOVE STORM DRAIN ABOVE CEILING AS REQUIRED FOR EXTENDING STORM DRAIN INTO NEW ADDITION.
 - CONNECT NEW 6" STORM DRAIN TO EXISTING STORM DRAIN ABOVE CEILING. FIELD VERIFY CONNECTION POINT AS HIGH AS POSSIBLE FOR EXTENDING INTO NEW ADDITION.
 - REMOVE AND RELOCATE FREEZELESS WALL HYDRANT. CAP CW LINE AT REMOVED HYDRANT.
 - CAP VERTICAL CW LINE SERVING HYDRANT ABOVE CEILING AND EXTEND 3/4" CW LINE INTO NEW ADDITION.
 - CONNECT 3/4" HW WITH BALL VALVE TO EXISTING 1" HW LINE ABOVE CEILING. FIELD VERIFY LOCATION.
 - CONNECT 3/4" CW WITH BALL VALVE TO EXISTING 1" CW LINE. CONNECT 3/4" HW WITH BALL VALVE AND CHECK VALVE TO EXISTING 3/4" HW LINE.
 - CONNECT 1 1/2" CW WITH BALL VALVE TO EXISTING 2 1/2" CW LINE ABOVE CEILING. FIELD VERIFY LOCATION.
 - COORDINATE WITH GC FOR CEILING REMOVAL AND REPLACEMENT FOR ROUTING NEW CW LINE TO ADDITION. FIELD VERIFY ROUTING ON SITE.
 - ROUTE 8" STORM DRAIN DOWN, OFFSET UNDER RETURN DUCT TO PROVIDE CLEARANCE FOR 90 DEGREE ELBOW AND EXTEND THRU EXTERIOR WALL WITH DOWNSPOUT. INSTALL BOTTOM OF PIPE AT 8" ABOVE FINISHED FLOOR. COORDINATE INSTALLATION WITH MC AND GC.





KPP
drawn by
DG
checked by
APRIL 2022
date
revisions

MOORE PUBLIC SCHOOLS
BOARD OF EDUCATION
MOORE, OKLAHOMA



NEW CLASSROOM
ADDITION -
SOUTH LAKE
ELEMENTARY SCHOOL

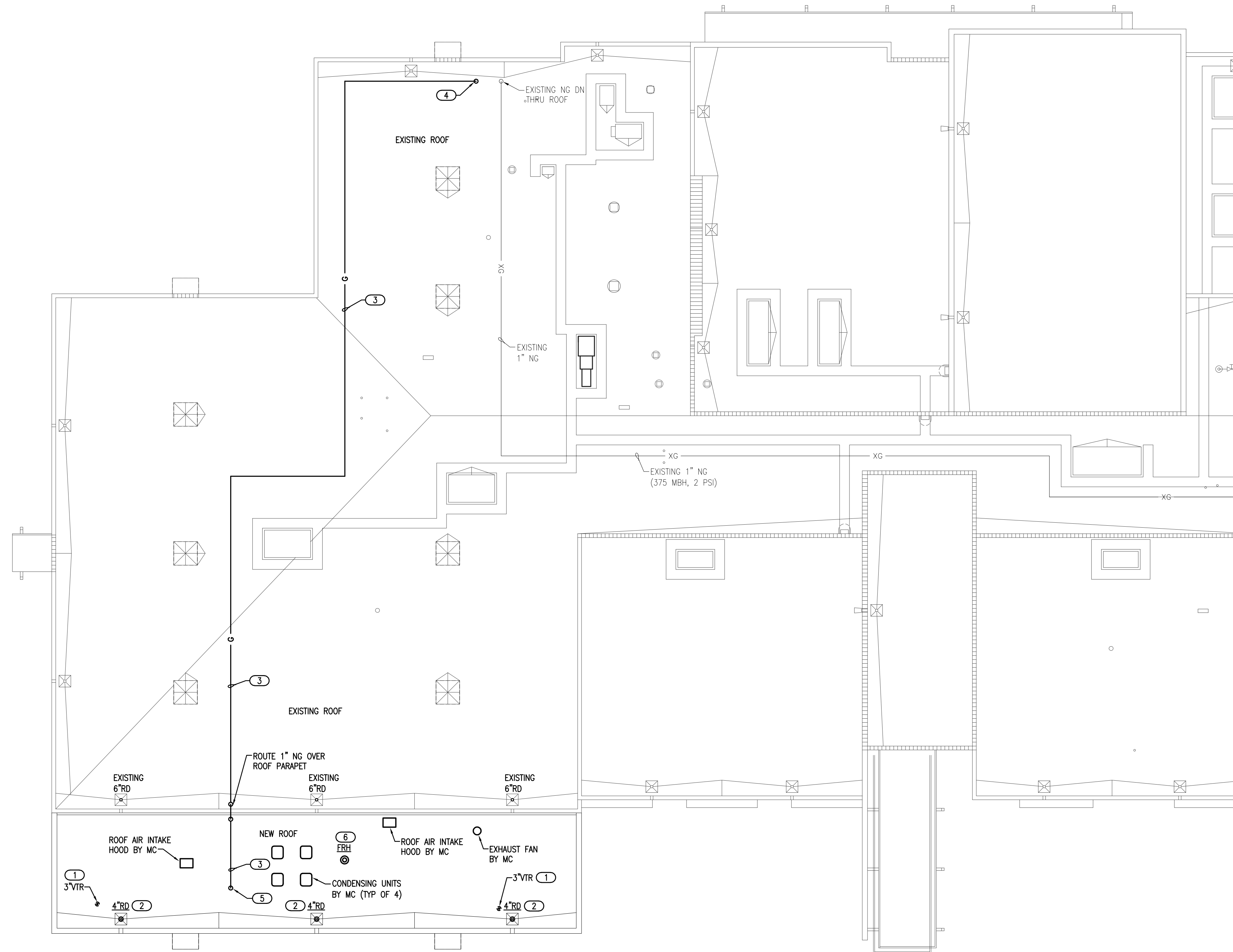
sheet no:

P201

OWNERSHIP USE OF DOCUMENTS:
AGP EXPRESSLY RESERVES ITS
COPYRIGHT AND OTHER PROPERTY
RIGHTS OF ALL PLANS AND DRAWINGS
DESIGNED AND/OR PRODUCED. PLANS
AND DRAWINGS ARE NOT TO BE
REPRODUCED IN ANY FORM OR MANNER
WITHOUT THE EXPRESSED WRITTEN
CONSENT OF AGP.

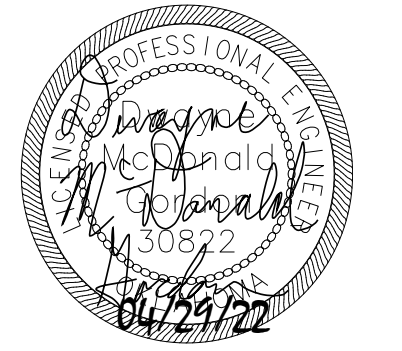
GENERAL NOTES	
1.	COORDINATE WORK WITH ALL TRADES ON SITE.
2.	ALL ABOVE GRADE EXTERIOR NATURAL GAS PIPE SHALL BE CLEANED AND DEGREASED PRIOR TO BEING PRIMED THEN PAINTED YELLOW WITH WEATHER RESISTANT ZINC RICH PAINT.
3.	PIPE IDENTIFICATION SHALL BE THE WORD "NATURAL GAS" IN BLACK LETTERS AT 5 FT INTERVALS USING PLASTIC PIPE MARKERS OR STENCILED PAINTED LETTERS.
4.	ALL GAS PIPE SHALL COMPLY WITH IFGC. BRANCH LINES SHALL TAP OFF TOP OF GAS MAINS AND INSTALL SHUT-OFF VALVE ON BRANCH LINE.
5.	MAINTAIN MINIMUM OF 10'-0" CLEAR BETWEEN EXHAUST AND INTAKE VENTS WITH MECHANICAL EQUIPMENT AND OTHER ROOF OPENINGS.

KEYED NOTES	
1	COORDINATE INSTALLATION OF PLUMBING VENTS WITH ROOFING CONTRACTOR. INSTALL VENT A MINIMUM 10'-0" FROM ANY OPENINGS, EQUIPMENT, INTAKES OR EXHAUST VENTS.
2	COORDINATE INSTALLATION OF ROOF DRAIN WITH ROOFING CONTRACTOR.
3	ROUTE NATURAL GAS LINE (2 PSI) ON ROOF. PROVIDE MIRO INDUSTRIES MODEL 3-RAH-8 ROOF TOP SUPPORTS OR APPROVED EQUAL. INSTALL AT MAXIMUM OF 8'-0" APART ON 1" OR 3/4" NATURAL GAS PIPING. REFER TO GENERAL NOTES FOR PAINTING GAS LINE. SEE DETAIL 7/P501 FOR PIPE SUPPORT DETAIL. FIELD VERIFY ROUTING ON SITE.
4	INSTALL MANUAL SHUT-OFF VALVE IN 1" NATURAL GAS LINE (2 PSI) AND ROUTE DOWN THRU EXISTING ROOF TO MECHANICAL ROOM. PROVIDE BOOT JACK AT ROOF PENETRATION AND SEAL WATERIGHT. COORDINATE WITH ROOFING CONTRACTOR. CONNECT 1" NG WITH BALL VALVE TO EXISTING NG MAIN LINE IN MECHANICAL ROOM. FIELD VERIFY CONNECTION POINT. LABEL LINE FOR SERVICE TO NEW ADDITION.
5	INSTALL MANUAL SHUT-OFF VALVE IN 1" NATURAL GAS LINE (2 PSI) AND ROUTE DOWN THRU NEW ROOF TO SERVE FURNACES. PROVIDE BOOT JACK AT ROOF PENETRATION AND SEAL WATERIGHT. COORDINATE WITH ROOFING CONTRACTOR. SEE PLAN P111 FOR CONTINUATION.
6	COORDINATE INSTALLATION OF FREEZELESS ROOF HYDRANT (FRH) WITH STRUCTURAL AND ROOFING CONTRACTOR.



1 PLUMBING PLAN - ROOF
1/16" = 1'-0"





KPP
drawn by
DG
checked by
APRIL 2022
date

revisions

MOORE PUBLIC SCHOOLS
BOARD OF EDUCATION
MOORE, OKLAHOMA



NEW CLASSROOM
ADDITION -
SOUTH LAKE
ELEMENTARY SCHOOL

sheet no:

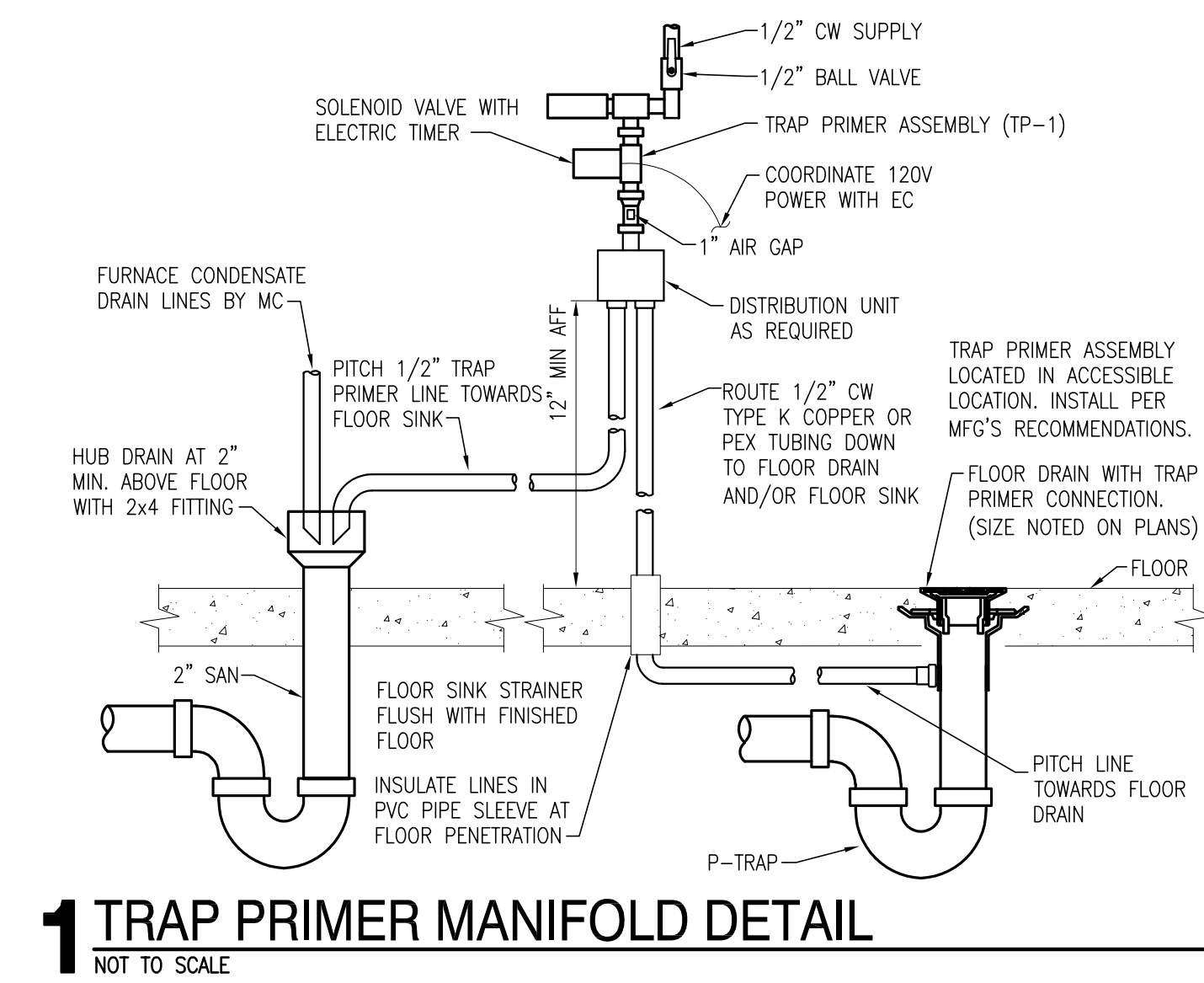
P501



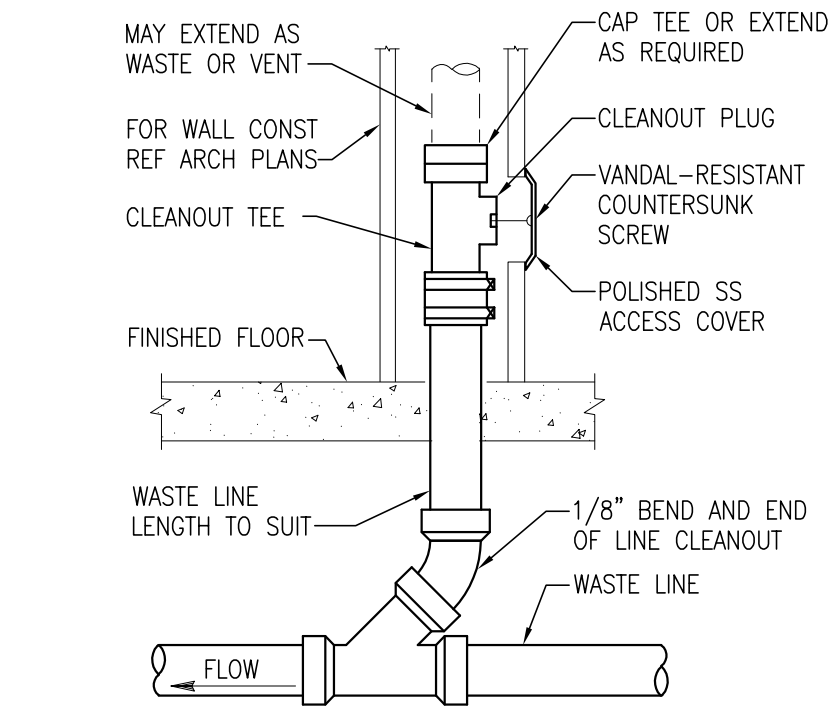
2600 Van Buren St., Suite 2635
Norman, Oklahoma 73072
P: 405.364.9926 | CA#:7058 Expiration Date: 6/30/2023

Salas O'Brien Project No.: 2022-01376-00

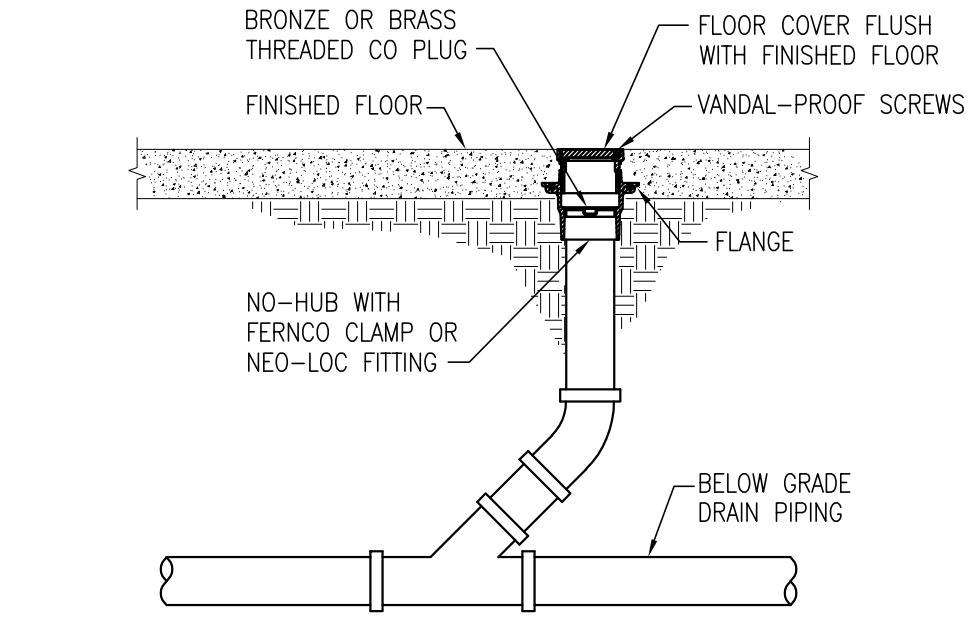
OWNERSHIP USE OF DOCUMENTS:
AGP EXPRESSLY RESERVES ITS
COPYRIGHT AND OTHER PROPERTY
RIGHTS OF ALL PLANS AND DRAWINGS
DESIGNED AND/OR PRODUCED. PLANS
AND DRAWINGS ARE NOT TO BE
REPRODUCED IN ANY FORM OR MANNER
WITHOUT THE EXPRESSED WRITTEN
CONSENT OF AGP.



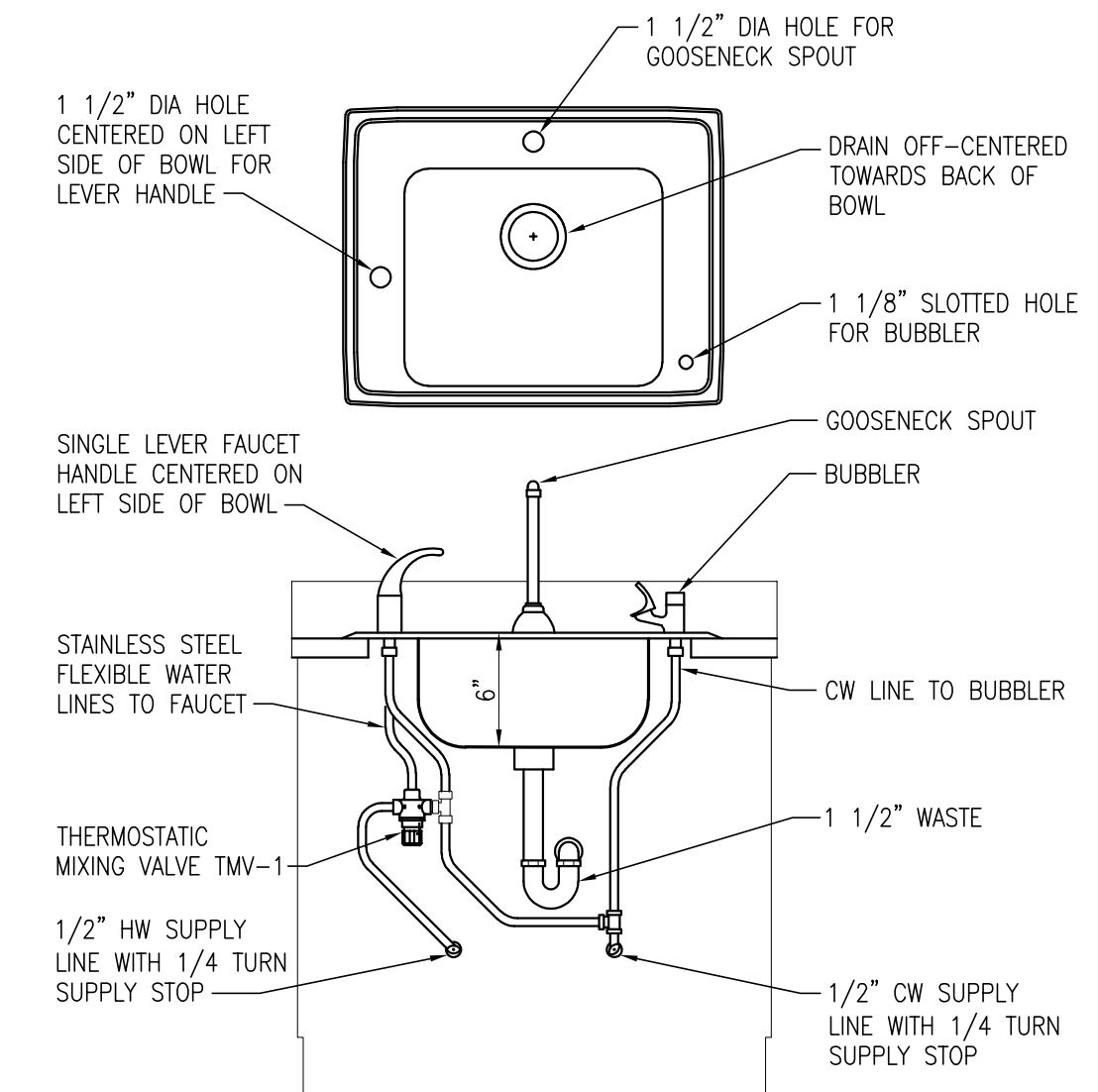
1 TRAP PRIMER MANIFOLD DETAIL
NOT TO SCALE



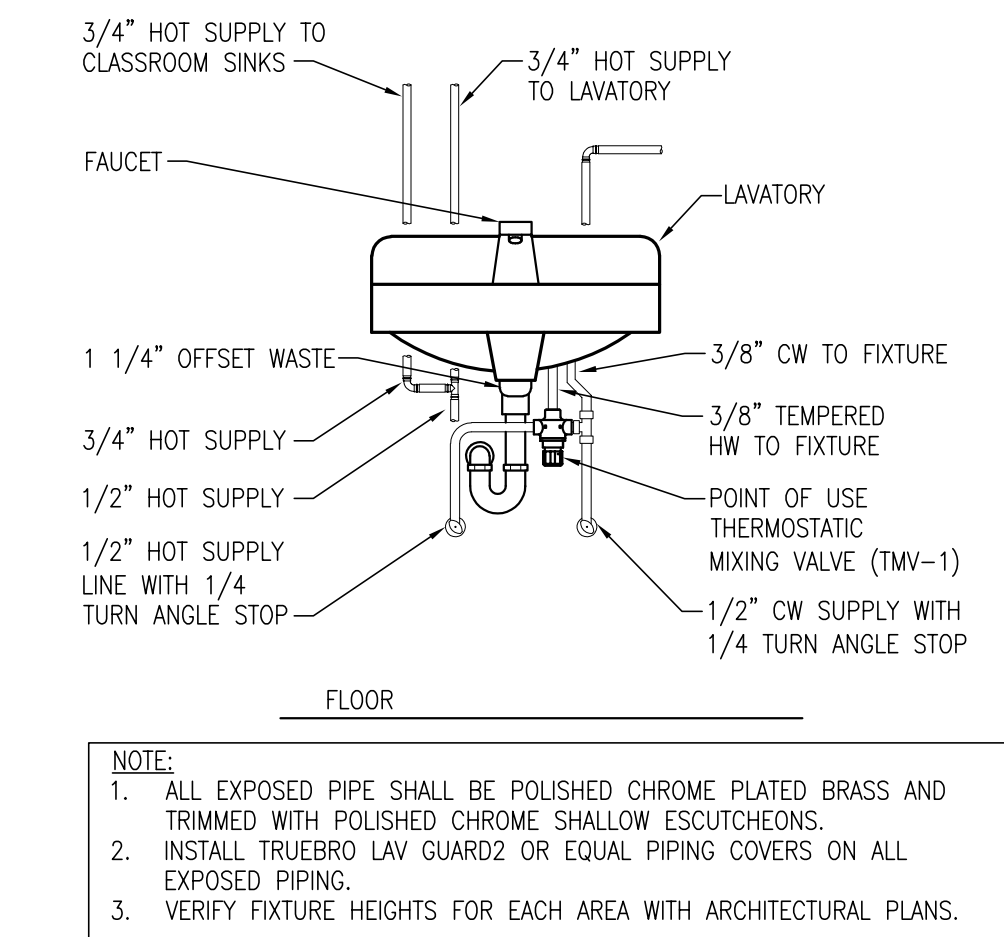
2 WALL CLEANOUT DETAIL
NOT TO SCALE



3 INTERIOR CLEANOUT DETAIL
NOT TO SCALE

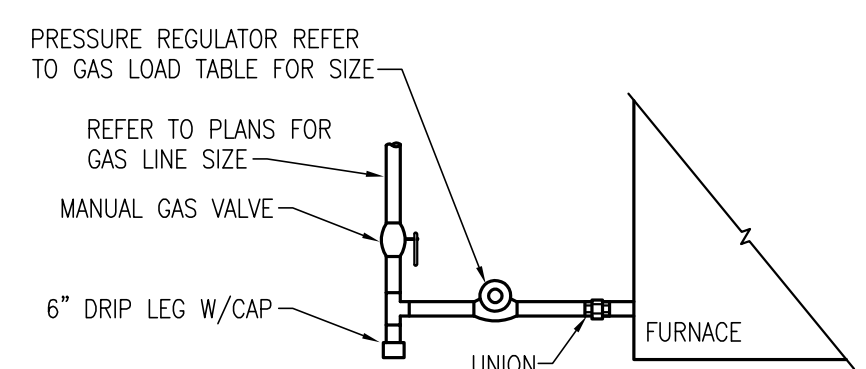


4 CLASSROOM SINK DETAIL
NOT TO SCALE

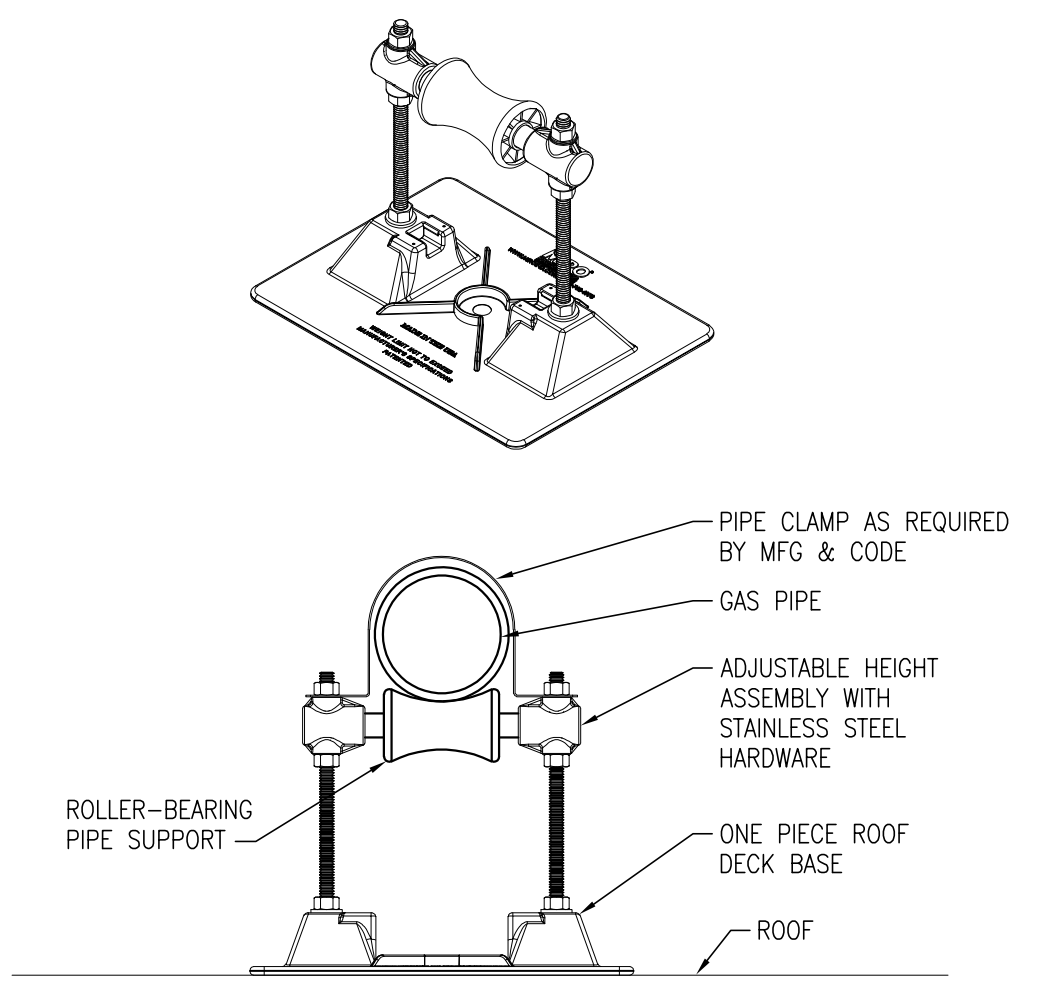


5 SINK WITH MIXING VALVE DETAIL
NOT TO SCALE

NOTE:
1. COORDINATE GAS CONNECTION TO UNIT WITH MC.
2. INSTALL PRESSURE REGULATOR PER MANUFACTURER'S RECOMMENDATIONS.



6 FURNACE GAS CONNECTION DETAIL
NOT TO SCALE



7 ROOF PIPE SUPPORT DETAIL
NOT TO SCALE



KPP

drawn by

DG

checked by

APRIL 2022

date

revisions

MOORE PUBLIC SCHOOLS
BOARD OF EDUCATION
MOORE, OKLAHOMA



NEW CLASSROOM
ADDITION -
SOUTH LAKE
ELEMENTARY SCHOOL

sheet no:

P601



2600 Van Buren St., Suite 2635
Norman, Oklahoma 73072
P: 405.364.9926 | CA#:7058 Expiration Date: 6/30/2023

Salas O'Brien Project No.: 2022-01376-00

OWNERSHIP USE OF DOCUMENTS:
AGP EXPRESSLY RESERVES ITS
COPYRIGHT AND OTHER PROPERTY
RIGHTS OF ALL PLANS AND DRAWINGS
DESIGNED AND/OR PRODUCED. PLANS
AND DRAWINGS ARE NOT TO BE
REPRODUCED IN ANY FORM OR MANNER
WITHOUT THE EXPRESSED WRITTEN
CONSENT OF AGP.

GAS LOAD TABLE					
MARK	INPUT (MBH)	REQUIRED PRESSURE	REQUIRED REGULATOR	SYSTEM PRESSURE	NOTES
F-1	60	7"	MAXITROL 325-3L	2 PSI	1,2,3
F-2	80	7"	MAXITROL 325-3L	2 PSI	1,2,3
F-3	80	7"	MAXITROL 325-3L	2 PSI	1,2,3
F-4	60	7"	MAXITROL 325-3L	2 PSI	1,2,3
TOTAL LOAD	280	MGH			

NOTES:
1. INSTALL AND VENT REGULATOR PER MANUFACTURER'S RECOMMENDATIONS.
2. PROVIDE VENT LIMITING DEVICE FOR INDOOR REGULATORS EQUIPPED WITH INTEGRAL VENT LIMITING ORIFICE MODEL 12A09.
3. COORDINATE WITH MECHANICAL CONTRACTOR FOR EQUIPMENT LOCATIONS AND REQUIRED CONNECTION.

PLUMBING FIXTURE SCHEDULE									
MARK	FIXTURE	MANUFACTURER	MODEL	MOUNT	ROUGH-IN SCHEDULE				FITTINGS AND REMARKS
					COLD	HOT	WASTE	VENT	
L-1	LAVATORY ADA	KOHLER	K-2005	WALL	1/2"	1/2"	1 1/2"	1 1/2"	PROVIDE CHICAGO FAUCET MODEL 420-CP. PROVIDE MCGUIRE HD15WC OFFSET STRAINER, 8902C P-TRAP, & LFBV2165CC SUPPLY STOPS. TRUEBRO LAV GUARD 2 PIPE COVERS. REFER TO ARCHITECT'S PLANS FOR MOUNTING HEIGHT AND WALL TYPE. ADA INSTALLATION. INSTALL MIXING VALVE TMV-1 UNDER FIXTURE. SEE DETAIL 5/P501.
WC-1	WATER CLOSET ADA	KOHLER	K-4325	WALL	1 1/4"	-	4"	-	COLOR WHITE. PROVIDE SLOAN ROYAL 111-1.6 SFSM BATTERY OPERATED FLUSH VALVE. PROVIDE BEMIS 1655SCT OPEN FRONT ELONGATED SEAT, EXTERNAL CHECK HINGE, COLOR WHITE. WADE WALL CARRIER. REFER TO ARCHITECT'S PLANS FOR HEIGHT AND WALL TYPE. ADA INSTALLATION.
S-1	CLASSROOM SINK	ELKAY	DRKAD282260 RC	COUNTER	1/2"	1/2"	1 1/2"	1 1/2"	SINK PACKAGE WITH FAUCET AT BACK, LEVER HANDLE ON LEFT SIDE CENTERED ON BOWL, BUBBLER ON RIGHT, 6" SINK DEPTH. PROVIDE ELKAY LKAD35 OFFSET TAILPIECE W/STRAINER. PROVIDE MCGUIRE 8912 P-TRAP & LFBV2165SS SUPPLY STOPS. INSTALL MIXING VALVE TMV-1 UNDER SINK. SEE DETAIL 4/P501.
FD	FLOOR DRAIN	WADE	1100-DA6-1	FLOOR	-	-	SEE PLANS	-	6" ROUND NICKEL BRONZE STRAINER, CAST IRON BODY ANCHOR FLANGE, CLAMP COLLAR, ADJUSTABLE COLLAR, ADJUSTABLE STRAINER HEIGHT, VANDAL-PROOF SECURED TOP, 1/2" TRAP PRIMER CONNECTION.
RD	ROOF DRAIN	WADE	3000-42-ADF-53	ROOF	-	-	4"	-	DURA-COATED CAST IRON BODY, CAST IRON DOME, COMBINATION MEMBRANE FLASHING CLAMP/GRAVEL GUARD, ADJUSTABLE EXTENSION ASSEMBLY & UNDER DECK CLAMP.
DS	DOWNSPOUT	WADE	3940-1	WALL	-	-	-	-	8" PIPE SIZE, CAST DOWNSPOUT NOZZLE WITH SECURING FLANGE, NICKEL BRONZE STAIN FINISH.
FCO	FLOOR CLEANOUT	WADE	6000-1-VP-7-5	FLOOR	-	-	SEE PLANS	-	ADJUSTABLE, CAST IRON BODY, ANCHOR FLANGE, MEDIUM DUTY SCORIATED ROUND TOP WITH NICKEL BRONZE FINISH, VANDAL RESISTANT COVER SCREWS, BRASS PLUG.
WCO	WALL CLEANOUT	WADE	8560-75 8304-85-VP	WALL	-	-	SEE PLANS	-	CAST IRON CLEANOUT TEE, THREADED BRASS PLUG, PROVIDE 8304-85-VP STAINLESS STEEL 6" ROUND ACCESS COVER WITH VANDAL RESISTANT SECURING SCREW.
HA-1	HAMMER ARRESTOR	WATTS	LF15M2	PIPE	VARIES	-	-	-	LEAD-FREE DESIGN, PDI WH201 LISTED, MAINTENANCE FREE, INSTALL PER MANUFACTURER'S RECOMMENDATIONS.
TP-1	TRAP PRIMER	SIoux CHIEF	695-ES01	PIPE	1/2"	-	-	-	ELECTRONIC UNIT WITH 24 HOUR ELECTRIC TIMER, SOLENOID VALVE, INTEGRAL BALL VALVE, WATER HAMMER ARRESTOR & AIR GAP, 1/2" CW INLET & OUTLET, 120V POWER HARD-WIRED, PROVIDE STRAINER PRIOR TO UNIT. COORDINATE 120 VOLT POWER WITH EC. PROVIDE DISTRIBUTION SPLITTER. SEE DETAIL 1/P501.
TMV-1	THERMOSTATIC MIXING VALVE	WATTS	LFMMV-M1	BELOW FIXTURE	1/2"	1/2"	-	-	LEAD FREE MIXING VALVE WITH ADJUSTABLE TEMPERATURE SET-POINT & LOCKABLE, INTEGRAL CHECK STOPS & STRAINERS, 1/2" INLETS & OUTLET. SET OUTLET TEMP AT 105 DEGREES F. ASSE 1070 LISTED.
AP-1	ACCESS PANEL	ACUDOR	UF-5000 14x14 CLSS	WALL	-	-	-	-	14"x14" STEEL, 16 GAGE DOOR & FRAME, 18 GAGE MOUNTING FRAME. CONCEALED HINGE, CYLINDER LOCK & KEY, STAINLESS STEEL FINISH. CONCEALED FASTENING POINTS.
FWH	FREEZELESS WALL HYDRANT	WOODFORD	B65	WALL	3/4"	-	-	-	CONCEALED BOX TYPE WITH HINGED DOOR, CHROME FINISH, ASSE STANDARD 1019, INSTALL AT MINIMUM 18" ABOVE GRADE, GIVE HYDRANT KEY TO OWNER.
FRH	FREEZELESS ROOF HYDRANT	WOODFORD	SRH-MS	ROOF	3/4"	-	-	-	FREEZELESS HYDRANT, ROOF MOUNTING ASSEMBLY & SUPPORT, THREADED HOSE OUTLET WITH DUAL CHECK BFP ASSE 1052. COORDINATE INSTALLATION WITH ROOFING CONTRACTOR.